



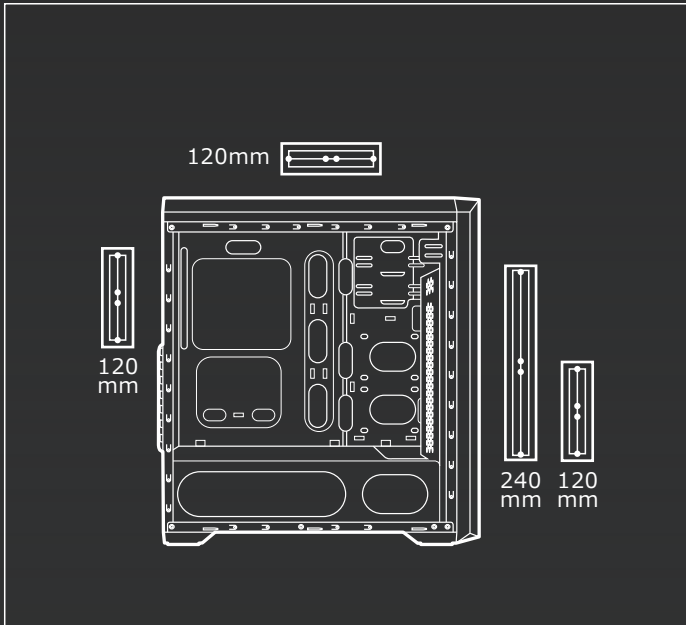
MX350 RGB

Enhanced Visibility Mid-Tower

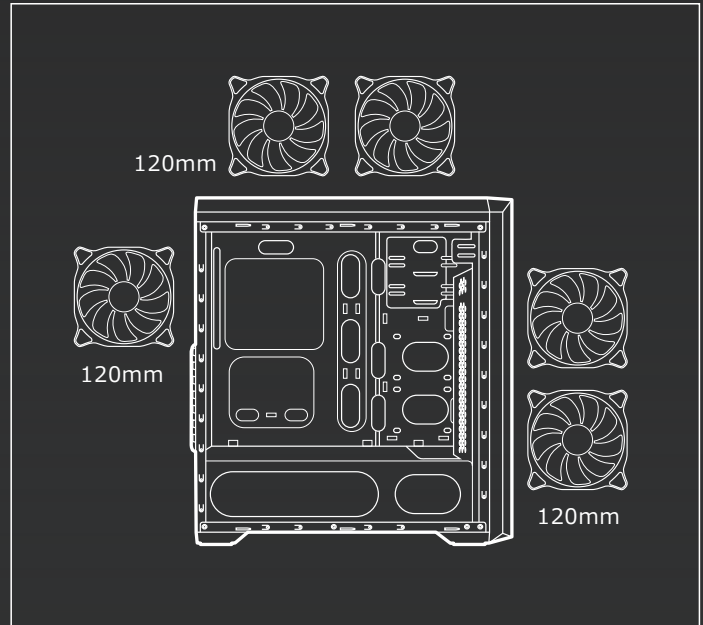
Strong Cooling

Want to cool all those powerful components? No problem. You can install up to five fans and a 240mm water cooling radiator to protect your investment from the threat of overheating.

Water cooling radiator support



Air cooling support



Specifications

Model Name	MX350 RGB	
Case Form Factor	Mid-Tower	
Motherboard Type	Mini-ITX / Micro ATX / ATX	
Dimension (WxHxD)	195 x 473 x 427 (mm) 7.68 x 18.62 x 16.81 (in)	
3.5" Drive Bay	2	
2.5" Drive Bay	2+2 (Converted from 3.5" Drive Bays)	
I/O Panel	USB2.0 x 1 / USB3.0 x 1 / Mic x 1 / Audio x 1	
Cooling System	Front	120mm x 2 (120mm x 2 COUGAR RGB fans pre-installed)
	Top	120mm x 2
	Rear	120mm
Maximum Number of Fans	5 Max.	
Water Cooling Support	Front	240mm
	Top	120mm
	Rear	120mm
Max. Graphic Cards Length	350 (mm) / 13.78 (in)	
Max. CPU Cooler Height	160 (mm) / 6.29 (in)	
Cable Management	Yes	
Expansion Slots	7	
Transparent Side Panel	Tempered Glass	
PSU	Standard ATX PS2	
Max. PSU Length	200 (mm) / 7.9 (in)	

Product Name	MX350 RGB	Individual Size W/O Packaging Weight (N.Weight)	5.6 (kg)
Product Number (P/N)	385NM10.0006	Individual Packaging Weight (G.Weight)	6.6 (kg)
EAN CODE	4710483770418	Individual Size W/O Packaging (WxHxD)	195 x 473 x 427 (mm) / 7.68 x 18.62 x 16.81 (in)
UPC CODE	192554001838	Individual Packaging Size (WxHxD)	237 x 517 x 510 (mm) / 9.33 x 20.4 x 20.07 (in)
JAN CODE	4541995034404		