



REAL GEAR FOR REAL GAMERS
www.cougargaming.com

MHP120

METALLIC-REINFORCED MOTOR HUB & SHELL

Excellent rotational stability that takes enhanced performance and durability to a whole new level.

EXTREME COOLING FAN WITH 2000 RPM

Delivering 82.48 CFM/ 143.53 m³/h high air flow and 4.24mmH₂O high static pressure, providing outstanding performance.

HDB BEARING & PWM CONTROL

Hydro Dynamic Bearings extends the fan's life span, and PWM control technology allows for total control on fan speed to reach that perfect balance between machine performance and cooling.

FAN SPECIFICATIONS

Fan Model: MHP120
Dimensions (WxDxH): 120 x 120 x 25 mm
Fan Speed: 600-2000 RPM±200RPM
Air Flow: 82.48 CFM / 143.53 m ³ /h (± 10%)
Air Pressure: 4.24 mm H ₂ O±10%
Acoustic Noise: 31.68 dB(A) (Max.)
Rated Voltage: 12 VDC
Rated Current: 0.23 A
Power Consumption: 2.76 W ± 10%
Bearing Type: HDB Hydro Dynamic Bearing
Cable Length: 200 mm
Connector & Control: 4 Pin PWM
Weight: 198g

PACKAGE CONTAINS

SINGLE PACKING
MHP120 x 1
300mm Extension Cable x 1
100mm Low-Noise Adaptor x 1
Fan Screw Kit
User Manual
TRIPLE FAN KIT
MHP120 x 3
300mm Extension Cable x 3
100mm Low-Noise Adaptor x 3
Fan Screw Kit
User Manual

FEATURES

ENGLISH

- EXTREMELY HYPER FAN WITH 2000 RPM(MAX)
- METALREINFORCED MOTOR HUB & SHELL
- HDB BEARING EQUIPPED & PWM CONTROL
- ANTI-VIBRATION DAMPER
- MORE SUITABLE FOR RADIATOR / HEATSINK
- USEFUL COMPONENTS ATTACHED

FRANÇAIS

- VENTILATEUR EXTRÊMEMENT HYPER AVEC 2000 RPM (MAX)
- MOYEU ET COQUE DE MOTEUR RENFORCÉS DE MÉTAL
- ROULEMENT HDB ÉQUIPÉ ET CONTRÔLE PWM
- AMORTISSEUR ANTI-VIBRATION
- PLUS ADÉQUATÉ POUR RADIATEUR / DISSIPATEUR DE CHALEUR
- COMPOSANTS UTILES ATTACHÉS

PORTUGUÊS

- HIPER FAN COM 2000 RPM (MÁXIMO)
- HUB E CASCO DO MOTOR REFORÇADO COM METAL
- HDB EQUIPADO COM ROLAMENTOS E CONTROLE PWM
- AMORTECEDOR ANTI-VIBRAÇÃO
- MAIS ADEQUADO PARA RADIADOR / DISSIPADOR DE CALOR
- COMPONENTES ÚTEIS INCLUSOS

ESPAÑOL

- VENTILADOR EXTREMADAMENTE HIPER CON 2000 RPM (MÁX)
- CUBO Y CARCASA DEL MOTOR REFORZADOS CON METAL
- ROLAMENTOS HDB EQUIPADOS Y CONTROL PWM
- AMORTIGUADOR ANTI-VIBRACION
- MÁS ADECUADO PARA RADIADOR / DISIPADOR DE CALOR
- COMPONENTES ÚTILES ADJUNTOS

DEUTSCH

- EXTREM HYPER LÜFTER MIT 2000 RPM (MAX)
- METALLVERSTÄRKTE MOTORNABE & SCHALE
- HDB-LAGER AUSGESTATTET & PWM-STEUERUNG
- ANTI-VIBRATIONSDÄMPFER
- MEHR GEEIGNET FÜR KÜHLER / KÜHLKÖRPER
- NÜTZLICHE KOMponentEN ANGESCHLOSSEN

РУССКИЙ

- МОЩНЫЙ ВЕНТИЛЯТОР С 2000 ОБ/МИН(МАХ)
- МЕТАЛЛИЧЕСКИЙ КАРКАС И ЛОПОСТИ
- ГИДРОДИНАМИЧЕСКИЙ ПОДШИПНИК & НИЗКИЙ УРОВЕНЬ ШУМА
- АНТИВИБРАЦИОННЫЙ ПРОКЛАДКИ
- ПОДХОДИТ ДЛЯ РАДИАТОРА / ТЕПЛОВЫДЕЛЕНИЯ
- КОМПЛЕКТ ПОСТАВКИ ВКЛЮЧАЕТ ДОПОЛНИТЕЛЬНЫЕ КОМПОНЕНТЫ

한국어

- 2,000RPM(MAX)의 초고속 성능 팬
- 금속 강화 모터 허브 & 셸
- HDB 베어링 장착 및 PWM 제어
- 진동 방지 댐퍼
- 라디에이터/히트싱크에 매우 적합
- 유용한 구성품 첨부

日本語

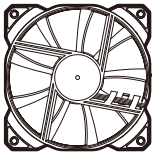




- 高効率の2000rpm (MAX) ファンを搭載
- 金属強化モーターハブ&シェル
- HDBベアリング&PWM制御
- 防振パッド・ラジエーター・ヒートシンク用として最適
- 便利なコンポーネントが付属

中文

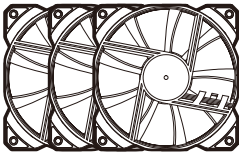




- 极致高效能的2000转风扇
- 金属强化轴心&轴承
- 防震垫搭载 & 支持PWM调速
- 四角防震垫配置
- 应用于散热器效能卓越
- 随附多样实用配件

INSTALL CONTENTS

SINGLE PACKING

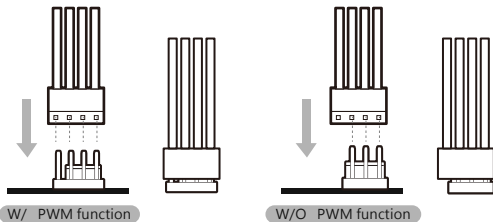
	x1
 300mm Extension Cable	x1
 100mm Low-Noise Adaptor	x1
 Fan Screw (for watercooling radiator)	x4
 Fan Screw	x4

TRIPLE FAN KIT

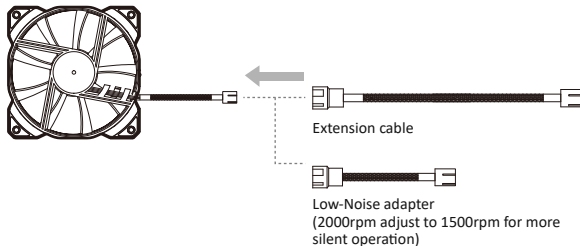
	x3
 300mm Extension Cable	x3
 100mm Low-Noise Adaptor	x3
 Fan Screw (for watercooling radiator)	x12
 Fan Screw	x12

HOW TO INSTALL

Connect the 4-pin cable into an available 4-pin or 3-pin fan header on your motherboard or fan controller.



- Ensure that the fan connector guides line up with the guide on the fan header.
- Installing a 4-pin fan on a 3-pin header will no longer benefit from PWM control.
- Do not force the connector into the fan header. Installing the fan connector incorrectly will cause device malfunction.
- Refer to your motherboard manual for fan header location(s).



⚠ CAUTION

When using the Low-Noise adapter, check the temperature of your CPU using appropriate software (e.g. the respective applications of your motherboard manufacturer), in order to evade automatic throttling of the CPU due to the increased temperature. If the cooling performance is insufficient, please increase case ventilation or remove the Low-Noise adapter.

COUGAR USA Technical Service

Tel: (833) 256-3778

Mail: rma@compucaseusa.com

<https://cougargaming.com/support/contact/upload/>

Compucase Enterprise Co.,Ltd.

No. 225, Lane 54, An Ho Road Sec. 2 Tainan,

Taiwan, R.O.C

Tel:+886-6-356-0606

Service E-Mail:service@cougargaming.com



For more information, please visit
www.cougargaming.com
Compucase Enterprise Co.,Ltd.
All rights reserved.



Made in China