

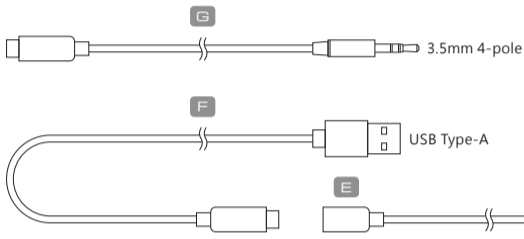


PHONTUM PRO

REAL GEAR FOR REAL GAMERS

PRODUCT PARTS AND PACKAGE CONTENTS

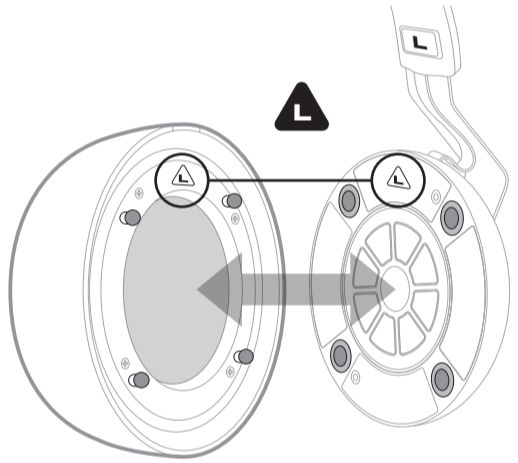
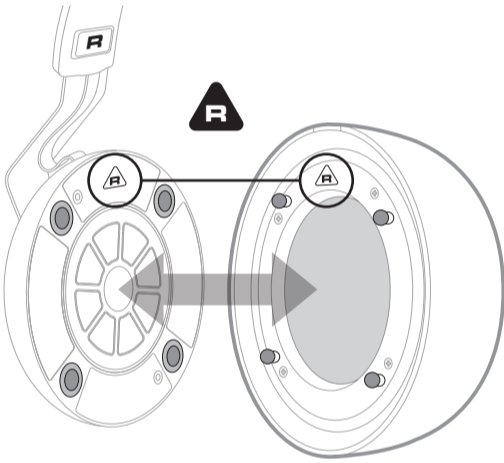
- A** Steel-based minimalist headband design
- B** Extra-large memory foam ear pad
- C** Detachable microphone for gaming
- D** Noise cancellation Sensor, Volume & Mute Control
- E** Adapter
- F** USB Type-A connector
- G** 3.5mm 4-pole connector



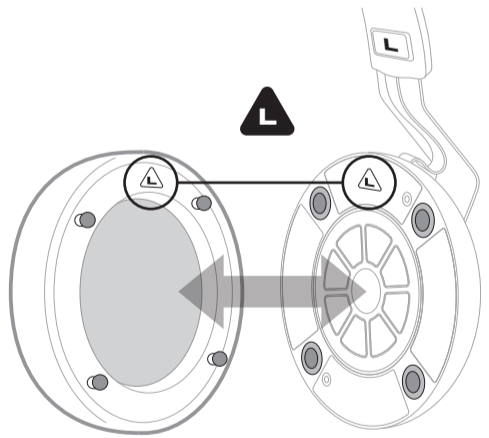
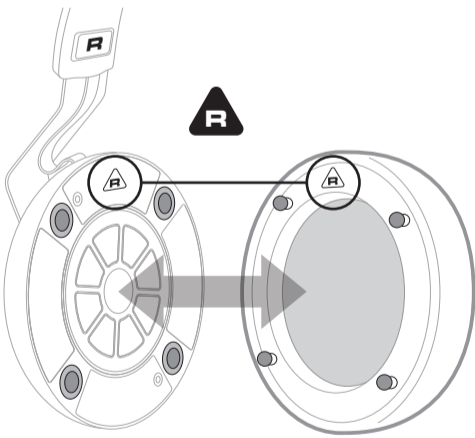
Please do not cover the sensor and keep at least 25cm-distance from main microphone.

INSTRUCTIONS

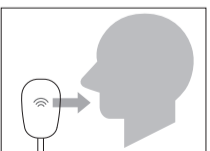
- A** Interchangeable Ear Pads : Extra-large memory foam ear pad



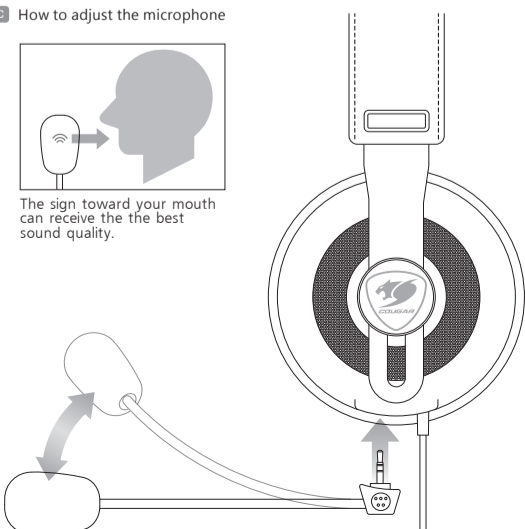
- B** Interchangeable Ear Pads : On-the-go breathable ear pad



- C** How to adjust the microphone



The sign toward your mouth can receive the the best sound quality.



SPECIFICATIONS

HEADPHONES		MICROPHONE	
Drivers	53mm	Type	9.7mm Noise Cancelling
Frequency response	20Hz - 20KHz	Frequency	100Hz to 10KHz
Sensitivity at 1KHz	98dB ± 3dB	Sensitivity at 1KHz	-47dB ± 3dB
Impedance at 1KHz	32ohm +/- 15%	Impedance	2.2kΩ
Cable Length	1.3m		

The above specifications may vary by country or region

PACKAGE CONTAINS

COUGAR PHONTUM PRO Gaming Headset	
Detachable Microphone	Detachable Control Unit
Interchangeable Ear Pads	User Manual

HARDWARE REQUIREMENTS

SINGLE PLUG DEVICES

- Audio: 3.5 mm audio plug.
- Audio + Microphone: 3.5 mm audio + microphone integrated plug.

USB Port DEVICES Audio + Microphone: USB Type A Port

- Dual USB Port Devices (for usage with the audio/mic splitter adapter)
- Audio + Microphone: USB Type A Port

DOWNLOAD



1. www.cougargaming.com
2. Download COUGAR UIX™ SYSTEM

ENGLISH

1. Go to the COUGAR official website. (<http://www.cougargaming.com>)
2. Download the COUGAR UIX™ SYSTEM_PHONTUM PRO installer from the PHONTUM PRO download page.

ESPAÑOL

1. Vaya a la web oficial de COUGAR. (<http://www.cougargaming.com>)
2. Descargue el instalador de COUGAR UIX™ SYSTEM_PHONTUM PRO de la página de descarga PHONTUM PRO

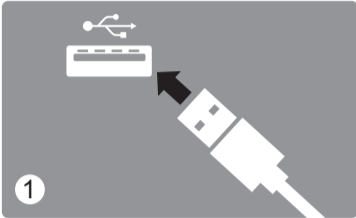
PORTUGUÊS

1. Visite o website oficial da COUGAR. (<http://www.cougargaming.com>)
2. Transfira o programa de instalação COUGAR UIX™ SYSTEM_PHONTUM PRO a partir da página de transferência PHONTUM PRO.

日本語

1. COUGAR 公式サイトに移動します。(<http://www.cougargaming.com>)
2. COUGAR_PHONTUM PRO ダウンロードページから COUGAR UIX™ SYSTEM_PHONTUM PRO のインストーラーをダウンロードします。

INSTALLATION



1

1. Plug the headset USB connector into the USB port. Your computer should recognize and configure the headset for use and display a notification message when ready.
2. Click & Install UIX system and follow instructions step by step.
3. The process may take several minutes, please be patient and do not disconnect the device or shut the computer down.



2



3

FEATURES

ENGLISH

- 53mm Drivers with Dual Chamber Design and Graphene Diaphragms
- 9.7 Unidirectional Cardioid Microphone
- Xear® 7.1 Virtual Surround
- Two Detachable Control Units (for USB and 3.5mm Connections)
- UIX System: Full Equalizer with 12 Presets and Lighting Control
- Addressable RGB Lighting System with 5 Preset Modes
- Two Interchangeable Earpad Sets (for Gaming and On-the-Go Use)

DEUTSCH

- 53-mm-Treiber mit Zweikammerdesign und Graphen Membrane
- 9,7 cm langes unidirektionales Nierenmikrofon
- Xear® 7.1 Virtual Surround
- Zwei abnehmbare Steuereinheiten (für USB- und 3,5-mm-Verbindungen)
- UIX-System: Vollständiger Equalizer mit 12 Voreinstellungen und Beleuchtungssteuerung
- Adressierbares RGB-Beleuchtungssystem mit 5 voreingestellten Modi
- Zwei austauschbare Ohrpolster-Sets (für Gaming und mobilen Gebrauch)

ESPAÑOL

- Altavoces de 53mm con Diseño de Doble Cámara y Diafragma Recubierto de Grafeno
- Micrófono Cardioido Retraíble de 9,7mm
- Tecnología de Audio Envolvente Xear® 7.1 Virtual Surround
- Dos Unidades de Control Desmontables (para USB y para Conexiones de 3.5mm)
- Sistema UIX: Equalizador Completo con 12 Modos Predefinidos y Control de Iluminación
- Iluminación RGB Direccional con 5 Modos Predefinidos
- Dos Conjuntos de Almohadillas Intercambiables (Para Juegos y Uso en Exteriores)

PORTUGUÊS

- Drivers de 53mm com Design de Câmara Dupla e Diafragmas de Grafeno
- 9.7 Microfone Cardióide Unidirecional
- Xear® 7.1 Virtual Surround
- Duas Unidades de Controle Destacáveis (para conexões USB e de 3,5 mm)
- Sistema UIX: Equalizador Completo com 12 Preajustes e Controle de Iluminação
- Sistema de Iluminação RGB Endereçável com 5 Modos Predefinidos
- Dois Conjuntos de Fones de Ouvido Intercambiáveis (para uso em jogos e em trânsito)

РУССКИЙ

- 53-мм драйверы с двойным покрытием и диафрагмами из графена покрытием
- Однонаправленный кардиоидный микрофон с драйвером в 9,7 мм
- Xear® 7.1 виртуальный звук
- Два съемных блока управления (для разъемов USB и 3,5 мм)
- Система UIX: полный эквалайзер с 12 предустановками и управлением подсветки
- Система подсветки RGB с 5 предустановленными режимами
- Два взаимозаменяемых набора для наушников (для игр и использования на ходу)

FRANÇAIS

- Haut-parleurs 53 mm avec conception à deux chambres et diaphragmes en graphène
- Micro cardioid unidirectionnel 9,7
- Son 7.1 Virtual Surround Xear®
- Deux unités de commande détachables (pour connexions USB et 3,5 mm)
- Système UIX : Égaliseur complet avec 12 prééglages et contrôle de l'éclairage
- Système d'éclairage RVB adressable avec 5 modes prééglés
- Deux ensembles de coussinets d'oreilles interchangeables (pour une utilisation en jeu et en déplacement)

HUNGARIAN

- 53 mm-es meghajtók kétkamrás kialakítással és grafén bevonatú membránal
- 9.7-es egyirányú kardioid mikrofon
- Xear® 7.1-es virtuális térhangzás
- Két leválasztható vezérlőegység (USB- és 3,5 mm-es csatlakozókhoz)
- UIX rendszer: teljes hangszínszabályozás 12 előbeállítással és világításvezérléssel
- Címezhető RGB-világítórendszer 5 előre beállított üzemmóddal
- Két felcserélhető fülpárnakészlet (játékokhoz és útközben történő használatához)

POLISH

- Dwukomorowe przetworniki 53 mm z grafenową membraną
- 9.7-es egyirányú kardioid mikrofon
- Xear® 7.1-es virtuális térhangzás
- Két leválasztható vezérlőegység (USB- és 3,5 mm-es csatlakozókhoz)
- UIX rendszer: teljes hangszínszabályozás 12 előbeállítással és világításvezérléssel
- Címezhető RGB-világítórendszer 5 előre beállított üzemmóddal
- Két felcserélhető fülpárnakészlet (játékokhoz és útközben történő használatához)

ITALIANO

- Driver da 53 mm con design a doppia camera e membrana in grafene
- Microfono cardioid unidirezionale 9.7
- Xear® 7.1 Virtual Surround
- Due unità di controllo rimovibili (per collegamenti USB e 3,5 mm)
- Sistema UIX: Equalizzatore completo con 12 preimpostazioni e controllo dell'illuminazione
- Sistema di illuminazione RGB indirizzabile con 5 modalità preimpostate
- Due set di auricolari intercambiabili (per giochi e uso in movimento)

日本語

- グラフェンのコーティング膜とデュアルチャンバーデザインを採用した53mmドライバー
- 9.7mm伸縮式カーディオイド指向性マイク
- Xear® 7.1 chバーチャルサラウンド
- 交換可能なUSB及び3.5cmコネクタ
- COUGAR UIX : 12種類のプリセット、イコライザーコントロールとライティングコントロールの機能を備えています
- 5つのプリセットモードを持つプログラム可能なRGB照明システム
- 2つの交換可能なイヤークッション (ゲーム用及び外出用)

한국어

- 듀얼 챔버 디자인의 53mm 드라이버와 그래핀 코팅 진동판
- 9.7 단방향 카디오이드 마이크
- Xear® 7.1 가상 서라운드
- 2 개의 탈착식 조절 장치 (USB 및 3.5mm 연결 용)
- UIX 시스템 : 12 개의 프리셋 및 조명 제어 기능이 있는 완벽한 이퀄라이저
- 5 개의 프리셋 모드 가있는 주소 지정이 가능한 RGB 조명 시스템
- 2 개의 교체 가능한 이어 패드 세트 (게임 및 이동 중에 사용)

中文

- 53mm石墨烯振膜驱动单元与搭载双腔体内部设计
- 9.7cm伸缩式心型指向性麦克风
- Xear® 7.1虚拟环绕声道音效
- 可替换式USB与3.5厘米接头
- UIX软件 : 预设12种声场、完整的均衡器控制与RGB控制功能
- 内置5种预设模式可编程RGB灯光效果
- 内附两款可替换式耳罩(供游戏与外出使用)

SYSTEM REQUIREMENTS

Windows 7 , Windows 8, Windows 10

UIX™

The COUGAR UIX™ SYSTEM is the ultimate gaming device configuration tool.

DEUTSCH

1. Gehe zur offiziellen COUGAR Homepage. (<http://www.cougargaming.com>)
2. Download COUGAR UIX™ SYSTEM_PHONTUM PRO installer von der PHONTUM PRO download seite.

РУССКИЙ

1. Перейдите на веб-сайт COUGAR. (<http://www.cougargaming.com>)
2. Загрузите программу установки драйвера COUGAR UIX™ SYSTEM_PHONTUM PRO со страницы загрузок для PHONTUM PRO.

ITALIANO

1. Connettere la presa USB al PC
2. Scarica e installa i driver da <http://cougargaming.com/downloads/>
3. Il vostro device è pronto per essere utilizzato.

한국어

1. COUGAR 공식 웹사이트 (<http://www.cougargaming.com>)로 이동합니다.
2. PHONTUM PRO 다운로드 페이지에서 COUGAR UIX™ SYSTEM_PHONTUM PRO 설치 프로그램을 다운로드합니다.

中文

1. 连上COUGAR官方网站 (<http://www.cougargaming.com>)
2. 进入PHONTUM PRO的下载页面 · 下载COUGAR UIX™ SYSTEM_PHONTUM PRO

GLOBAL WARRANTY POLICY

WARRANTY PERIODS OF COUGAR GAMING DEVICES

- Product : COUGAR PHONTUM PRO gaming headset
- Warranty : 1 Year
- This warranty gives you specific legal rights. You may also have other rights granted under local law. These rights may vary.

WARRANTY AGREEMENT

- If the product has defects in material or manufacture, COUGAR will provide product repair and replacement service within the warranty period.
- Our warranty service is based on the date of the invoice or warranty card (must be affixed with the store stamp).
- If you lose the aforementioned evidence, we will apply the original shipping date of the product as the beginning date of warranty period. The shipping date will be identified by the product serial number(S/N).

CONDITIONS WHERE FREE MAINTENANCE IS NOT PROVIDED

- Any fault or damage caused by natural disasters (including storm, fire, flood, thunder, earthquake, etc).
- Any fault or damage caused by accidental factors and man-made reasons (including hit, scrape, crash, moving, compression, stain, corrosion, use of incurred on unsuitable voltage, computer virus, riot, misuse, malicious damage, etc).
- Use in an improper operating environment (including high temperature, high humidity, water inflow, etc).
- Inability to provide the product warranty card, purchase receipt or invoice to prove the product is still within the warranty period and the shipping date of the product is out of warranty.
- The warranty card or product serial number has been altered or its number is hard to identify.
- The warranty period has expired.
- Any fault or damage caused by non-compliance with regulations stated on the user manual or improper, rough and careless treatment.
- Any fault or damage caused by use of parts not certified by COUGAR original manufacturer.
- The problem is caused by improper repair or adjustment by the buyer or any manufacturer without authorization from COUGAR.
- The product is not acquired from an authorized distributor of the company or is acquired from illicit sources.
- Paper carton, instruction and other accessories are not warranted.

DISCLAIMERS

- COUGAR does not authorize or endorse the user of COUGAR products as a part of, together with, or connected to, life support devices, medical equipment in general, military equipment, traffic or transportation-related equipment or disaster prevention systems.
- COUGAR is not liable for any damage, expense, loss, cost, injury or any other result derived from the use of COUGAR products not specifically for PC gaming in the compatible operative systems indicated by COUGAR.
- COUGAR is not liable for any damage, expense, loss, cost, injury or any other result due to use of COUGAR products not in strict accordance with the instructions provided by COUGAR in the instruction manual.
- Software, instruction manuals, consumables (for example mouse pads, mouse feet, etc.), boxes or other external packaging are not covered by the warranty.
- For inquiries about the warranty, please contact us at service@cougargaming.com

LEGAL NOTICES

This manual was created by Compucase Enterprise and may not be completely or partially copied, passed on, distributed or stored without written consent by Compucase Enterprise.

COUGAR® is a registered brand of Compucase Enterprise. Other product and company names mentioned in this documentation may be brands or trademarks of their respective owners.

Compucase Enterprise reserves the right to make changes concerning the contents of the manual and the technical data of the product without previous announcement.



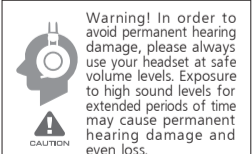
All other registered trademarks belong to their respective companies.

MANUFACTURER CONTACT

COUGAR USA Technical Service
 Tel: (833) 256-3778
 Mail: rma@compucaseusa.com
<https://cougargaming.com/support/contact/upload/>

Compucase Enterprise Co.,Ltd.
 No. 225, Lane 54, An Ho Road Sec. 2 Tainan, Taiwan, R.O.C
 Tel:+886-6-356-0606
 Service E-Mail:service@cougargaming.com

For more information, please visit <https://cougargaming.com>
 Compucase Enterprise Co.,Ltd.
 All rights reserved.
 Made in China



تعليمات التركيب والأمان:
 • التزم بالوضعية الصحية والمريحة عند استعمال السماعة.
 • يجب التكد من توصيل كافة التوصيلات بالشكل الصحيح.
 • أحفظ الجهاز بعيدا عن مصادر المياه والرطوبة.
 • أفضل التيار الكهربائي فورا في حالة الاشتباه بوجود التماس.
 • يتأكد بأن مصدر الطاقة لديك مناسب لما يحتاجه هذا الجهاز.

ДАТА ИЗГОТОВЛЕНИЯ ПРОДУКЦИИ

год и месяц изготовления продукции указаны в серийном номере продукта. (существует 2 способа определения даты изготовления, оба способа описаны ниже)

A После S/N: первые две цифры означают год, вторые две – месяц изготовления.
 Например, S/N: H170200001 означает, что товар был произведен в феврале 2017 года.

B После S/N: если указаны буквы, то две буквы представляют цифры из таблицы ниже, и означают год, последующие две цифры – месяц изготовления.
 Например, S/N: DAG02REV1000001 означает, что товар был произведен в феврале 2017 года.

A	B	C	D	E	F	G	H	I	J
1	2	3	4	5	6	7	8	9	0

• Например, AG = 17 = 2017 год